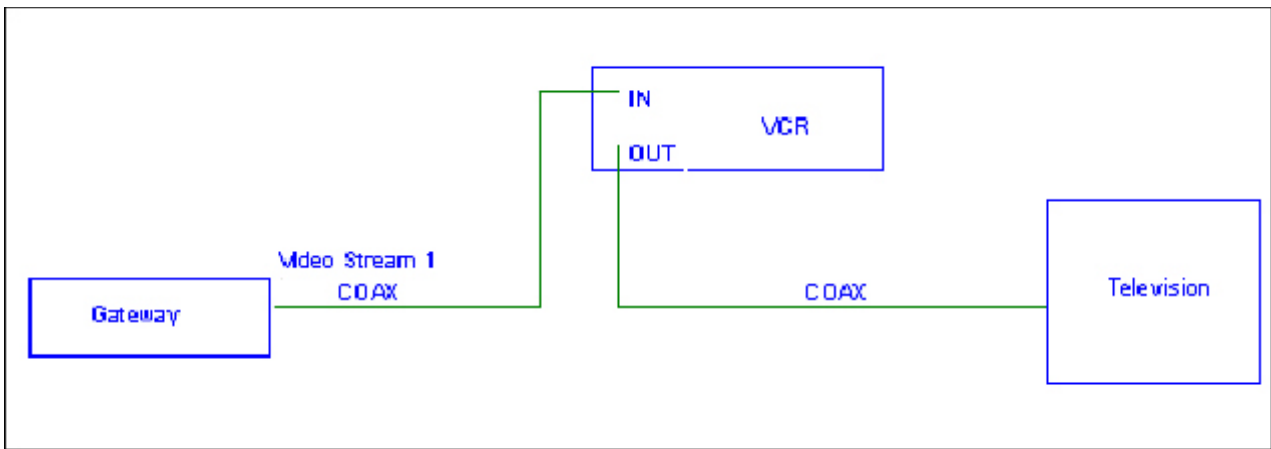
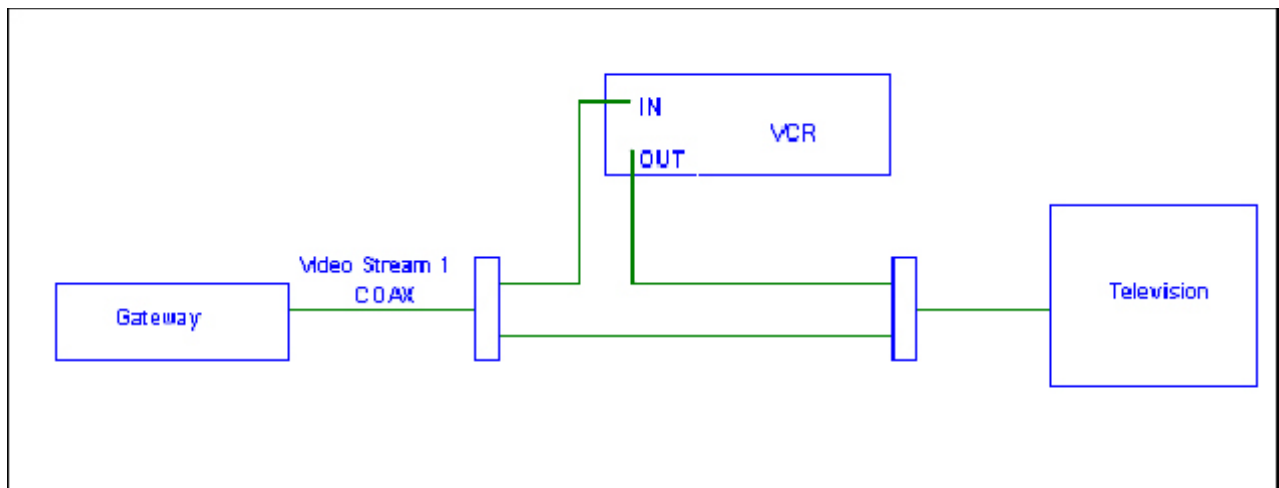


## VCR set-up instructions, when using HTC digital TV

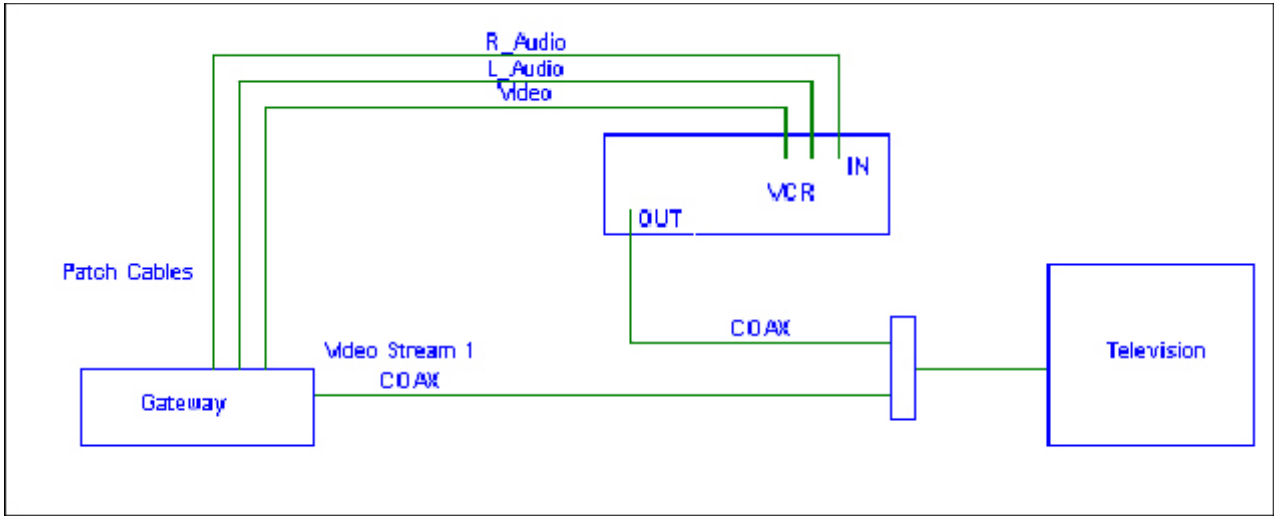
The following diagram shows the simplest connection needed to allow timed VCR recording on Video Stream 1 for televisions with only a coaxial input or in situations that it is preferable that only coaxial cable be used. The problem with this setup is that the television must be switched from channel 6 to channel 3 during recordings in order to watch the station being recorded and then the television must be switched back to channel 6 after the recording is over in order to watch television. This channel switching also makes it difficult to do the initial programming of the Residential Gateway to the particular VCR used. It is recommended that one of the other methods be used. In this set-up the customer will view tapes on channel 3 of the television.



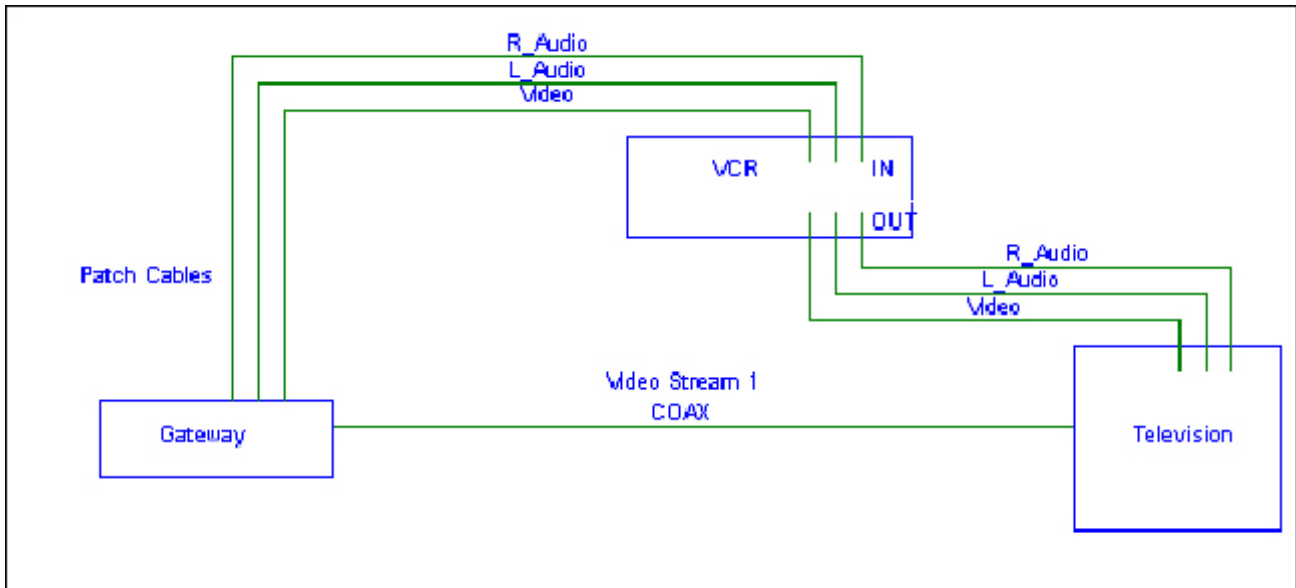
The following diagram shows the connection needed to allow timed VCR recording on Video Stream 1 for televisions with only a coaxial input or in situations that it is preferable that only coaxial cable be used. This setup allows the watching of the station being recorded to continue on the television channel 6 instead of having to switch to channel 3 during recordings. In this set-up the customer will view tapes on channel 3 of the television.



The following diagram shows the connection needed to allow timed VCR recording on Video Stream 1 for televisions with only a coaxial input. This setup allows the watching of the station being recorded to continue on television channel 6 instead of having to switch to channel 3 during recordings. In this set-up the customer will view tapes on channel 3 of the television. Special care must be taken to set the VCR to channel "Line In" for this cannot always be done automatically through the Residential Gateway.



The following diagram shows the connection needed to allow timed VCR recording on Video Stream 1 for televisions with patch cord inputs. This setup will provide the best recording quality but uses more expensive patch cables instead of coaxial cable. This setup allows the watching of the station being recorded to continue on television channel 6. Tapes must be viewed on the "Line In" station on the television set. Special care must be taken to set the VCR to channel "Line In" for this cannot always be done automatically through the Residential Gateway.



The following diagram shows the connection needed to allow timed VCR recording on Video Stream 1 for televisions with patch cord inputs. This setup allows the watching of the station being recorded to continue on television channel 6. Tapes must be viewed on the "Line In" station on the television set.

